

**AXIAL WALL- or CEILING -MOUNTED FANS** for exhaust ventilation



*Smell the freshness INSIDE*



INDUSTRIAL  
ELECTRICAL  
DISTRIBUTOR

HEAD OFFICE: JOHANNESBURG Tel: 011 677 2500 F: 011 677 2601/2/3

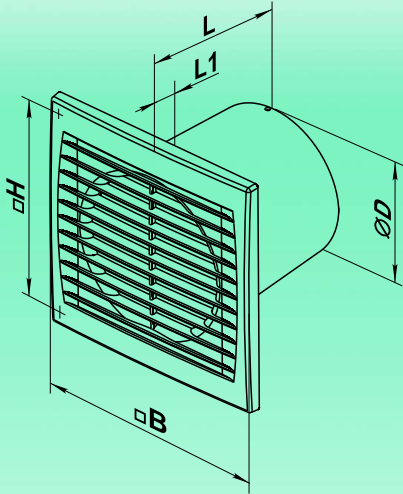
BLOEMFONTEIN  
T: 051 448 0996  
F: 051 448 0997

CAPE TOWN  
T: 021 591 1114  
F: 021 593 0239

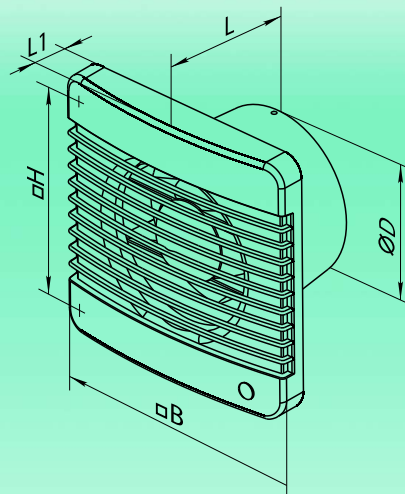
PORT ELIZABETH  
T: 041 374 1687  
F: 041 374 1688

DURBAN  
T: 031 319 5400  
F: 031 319 5435

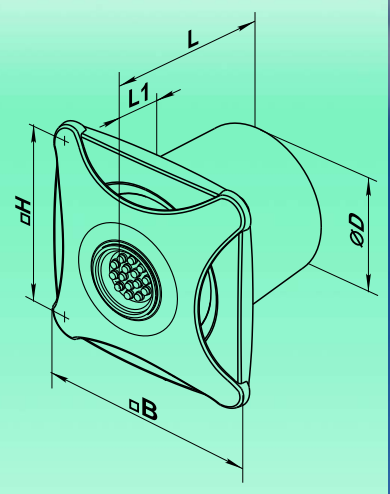
Visit us online on:  
[www.wacoelec.co.za](http://www.wacoelec.co.za)



**Vents S**  
100



**Vents M**  
100, 125 and 150



**Vents X star**  
100

Up to 341m<sup>3</sup>/h

Up to 345m<sup>3</sup>/h

Up to 302m<sup>3</sup>/h

**CAPACITY**

**DESIGN**

Ultra thin front panel

Standard front panel

Front panel with LED light

**MOUNTING**

Wall mounting recommended

Wall mounting recommended

Ceiling or wall mounting

**APPLICATION**

Continuous or periodic exhaust ventilation of bathrooms, showers, kitchens and other utility spaces  
Ventilation shaft mounting or duct mounting  
Low to medium air flow motion for short distances at low air resistance  
Compatible with 100, 125 & 150 mm air ducts

**DESIGN**

Modern design and aesthetic look  
The casing and the impeller are made of high-quality ABS plastic, UV Resistant  
The intellectual impeller design makes the fan efficiency high and the service life-long  
Protection rating is IP 34 and it comes with an insect screen

Optional Extra: Back draft damper for back flow prevention

**MOTOR**

Reliable and low-watt electric motor  
Designed for continuous operation and requires no maintenance  
Equipped with overheating protection

**TECHNICAL DATA**

Model	Voltage (V) at 50 Hz	Power Consumption (W)	Current (A)	r.p.m	Max air capacity (m <sup>3</sup> /h)	Sound pressure level at 3m [dB(A)]	Weight (kg)	ØD	Dimension				
									B	H	L	L1	
VENTS 100S	220-240	14	0.085	2300	0.085	34	0.59	100	150	120	108	12	
VENTS 100M	220-240	14	0.085	2300	0.085	34	0.55	100	159	135	88.5	23	
VENTS 125M	220-240	16	0.1	2400	0.1	35	0.70	125	180	150	94	25	
VENTS 150M	220-240	24	0.13	2400	0.13	39	0.89	150	206	182	106	25.5	
VENTS 100 X-Star	220-240	14	0.085	2300	0.085	33	0.61	100	152	120	131	36	

Complies to SABS - IEC 60335-1 IP 34

The following features can be added on special orders (delivery time: 6-8weeks, min order quantities apply)

- Ball Bearing Motor
- High-powered 12V Motor
- Low Noise Impeller
- Timer
- Pull Cord
- Humidity Sensor
- Motion Sensor

**5**  
years warranty